



RS2F - 45 dB

Acoustic and Fire rated Steel Door.



PRESENTATION

The range of **RS** acoustic doors designed and manufactured by **Acústica Integral** responds to market demands. They are homologated doors with many features, high quality, robust and with great performance.

ADVANTAGES

Acoustic door without lower threshold allowing for hindrance free passage with high acoustic insulation of **45 dB**. Double guillotine in the lower area of the leaf for a perfect sealing to the floor. Own automated manufacture. Standard and custom size models.

APPLICATIONS

Radio stations, recording and dubbing studios. Post-production, home-cinema, TV sets, rehearsal studios, schools of music, music bars, discotheques, pubs, etc.

SPECIAL ACCESSORIES (on order)

Visible lock, push-bar.

TECHNICAL DATA

Description: 69 mm thick acoustic door, made up of metallic frame and leaf in 1,2 mm thick polished sheet metal, filled with sound absorbing materials. Fitted with perimeter draught excluder. No lower threshold.

Maximum leaf opening: 180°.

Closure: Latch, stainless steel handle.

Surface treatment: Synthetic primer (ready for painting).

Thermal transmittance U_a : 1,84 W/m²K.

Fire resistance: **EI260** opposite hinges side & **EI245** hinges side **APPLUS** N° 13/6883-2745.

Acoustic certificate: **APPLUS** N° 12/4974-634.

Tests realised with doors equipped of the following accesories: vision panel, push-bar, keylock and door-closer



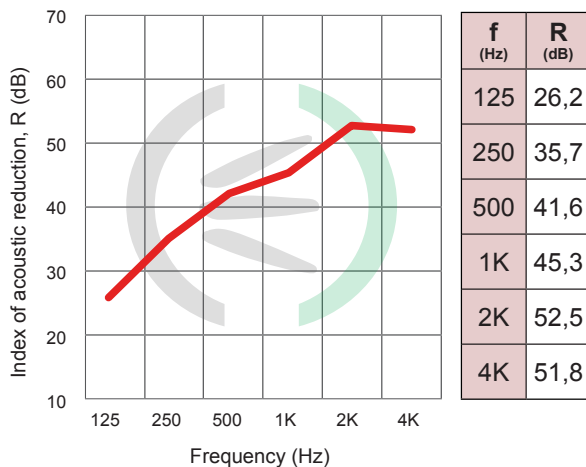
STANDARD DIMENSIONS

Single leaf (W x H in mm.)		
Model	Int. Dim.	Ext. Dim.
RS2F/01	800 x 2000	940 x 2070
RS2F/02	900 x 2000	1040 x 2070
RS2F/03	1000 x 2000	1140 x 2070

DETAIL OF THE HANDLE



RS2F Acoustic and Fire rated Steel Door.



RS2F-1H

Overall sound reduction index, R_w (C;Ctr):	45 (-1;-6) dB
Overall weighted sound reduction index A, R_A :	44,5 dBA

© ACÚSTICA INTEGRAL, S.L. - 2014 - Reserves the right to introduce changes without prior notice.

ASSEMBLY INSTRUCTIONS

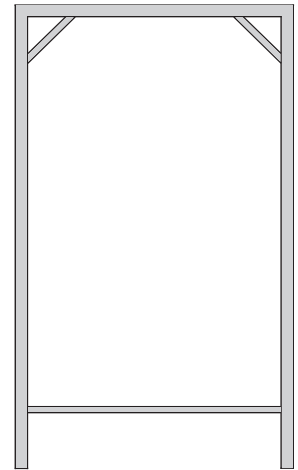
About metallic pre-frame: Firmly fix the metallic pre-frame to the partition wall or the gypsum. Move the acoustic door (frame and leaf), always closed, towards the inside space of the pre-frame and shim the door until it is level. Spot weld for the first time between the door and the pre-frame and check the vertical and horizontal levelling, do not open until definitive welding has been finished. Carry out final welding between the door and the pre-frame, once again check the levelling and open the door to verify that it works correctly. Seal the spans that remain between the pre-frame rim and door with insulating polyurethane foam or acrylic putty if there is just a little space. Keep the door closed as much as possible.

How to use:

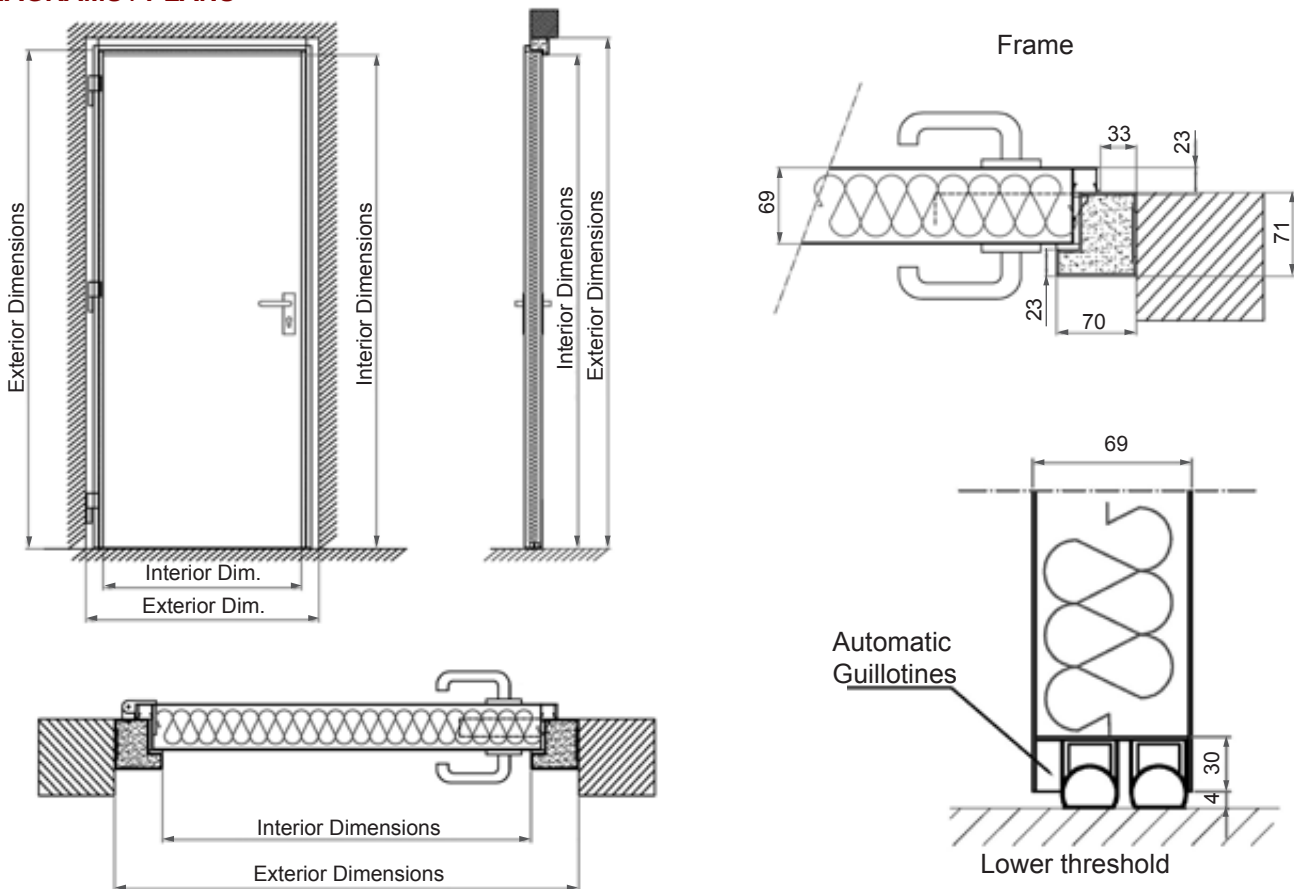
- **Fitted with latch handle:** To open grip the handle, turn it clockwise and push the leaf; to close it, grip the handle and bring the leaf towards the rim.
- **Fitted with panic bar:** To open, push the bar downwards and push the leaf; to close it, grip the bar or handle and bring it towards the rim.

Use restrictions: Do not hit the door with anything that could deform it. Once the leaf is open don't hang on it. Close the leaf gently without banging.

Preventive maintenance: We recommend an annual service, therefore Acústica Integral offers a contract in which we service: Mobile door elements (Hinges, handles and locks): cleaning, oiling, regulation and checking of good working order of all parts. Draught excluders and intumescent joints: substitution of damaged or badly working parts. Checking for looseness.



DIAGRAMS / PLANS



© ACÚSTICA INTEGRAL, S.L. - 2014 - Reserves the right to introduce changes without prior notice.

